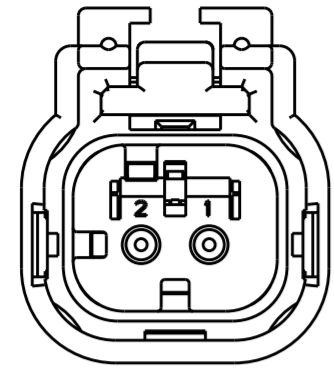
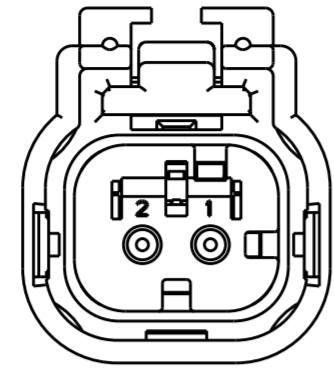


THIS DRAWING IS UNPUBLISHED. RELEASED FOR PUBLICATION 20
 © COPYRIGHT 20 BY - ALL RIGHTS RESERVED.

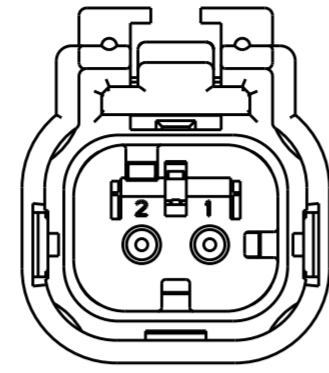
REVISIONS				
P	LTR	DESCRIPTION	DATE	APVD
E		REVISED PER ECO-13-019067	05DEC2013	DR RB



776522-2
SCALE 2:1
KEY B

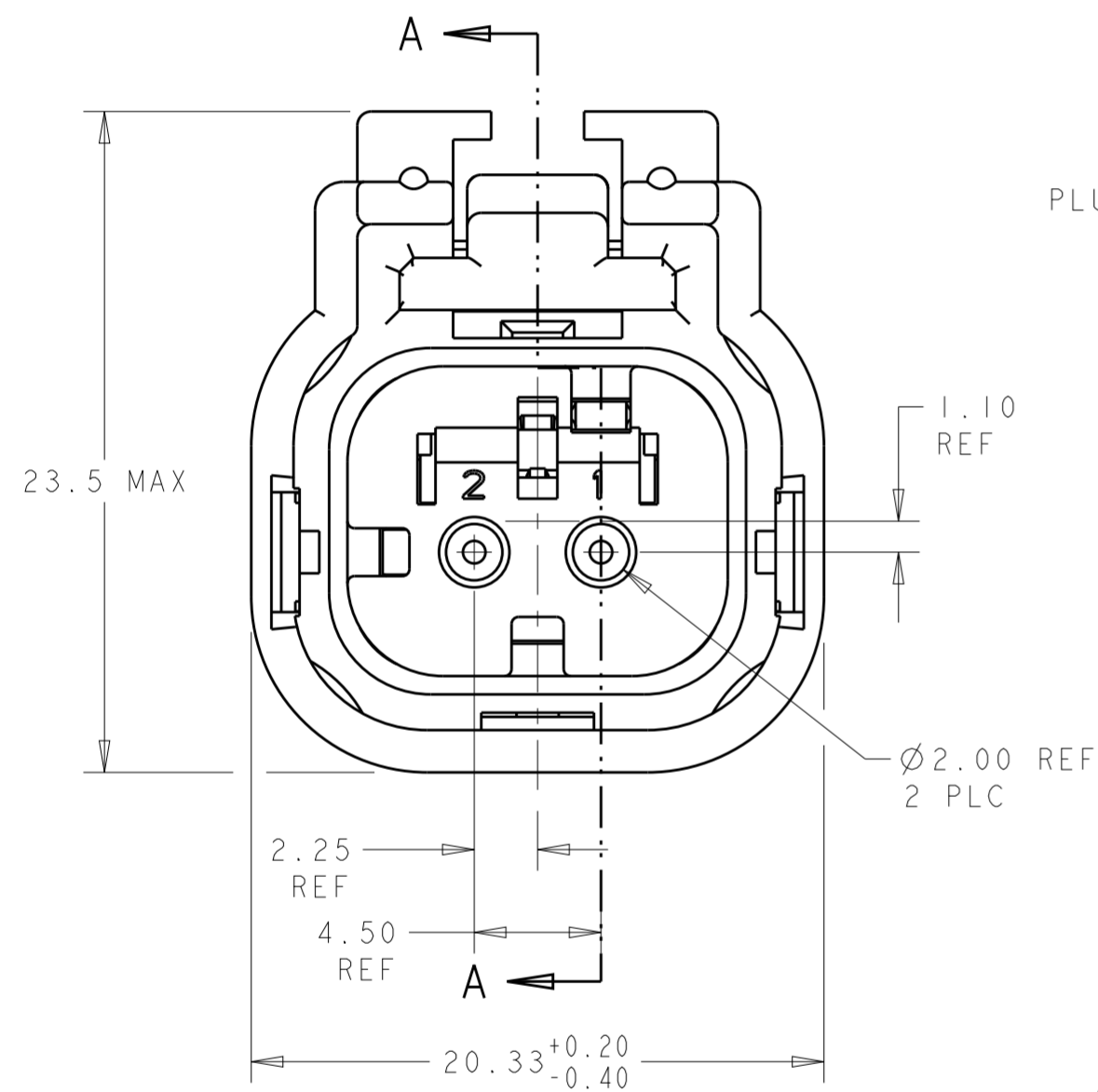


776522-3
SCALE 2:1
KEY C

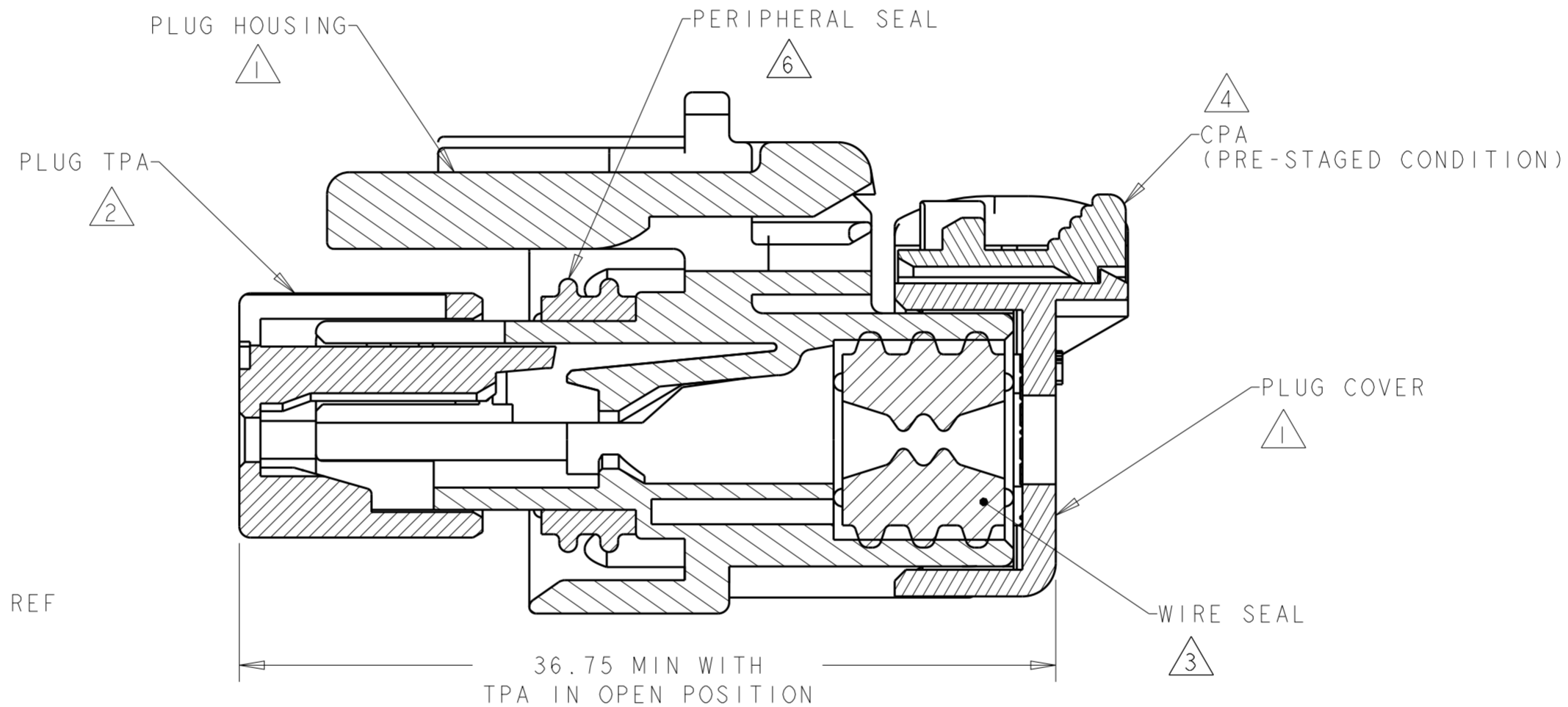


776522-4
SCALE 2:1
KEY D

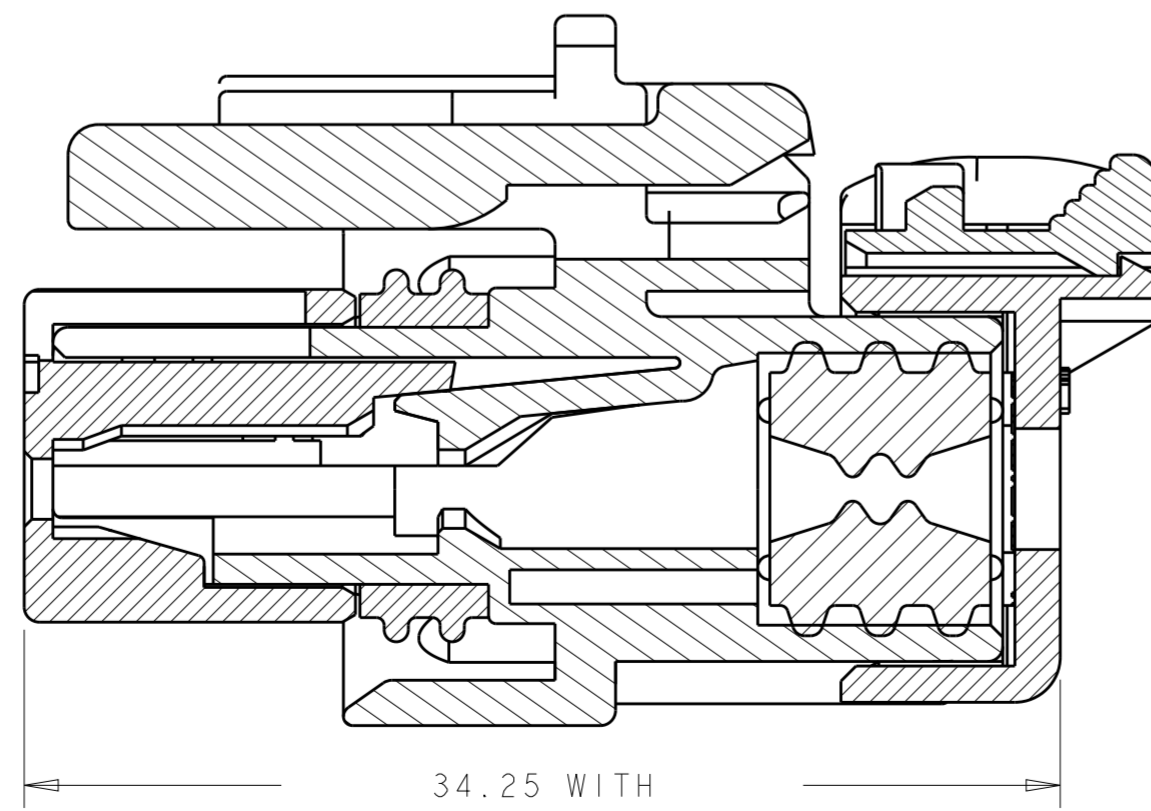
- 1 MATERIAL: 15% GLASS FILLED THERMOPLASTIC
COLOR: BLACK
- 2 MATERIAL: 15% GLASS FILLED THERMOPLASTIC
COLOR: (SEE TABLE)
- 3 MATERIAL: SILICONE
COLOR: LIGHT GRAY
- 4 MATERIAL: 15% GLASS FILLED THERMOPLASTIC
COLOR: RED
- 5. RECOMMENDED WIRE DIAMETER RANGE IS 1.30 TO 2.54mm.
- 6 MATERIAL: SILICONE
COLOR: BLUE



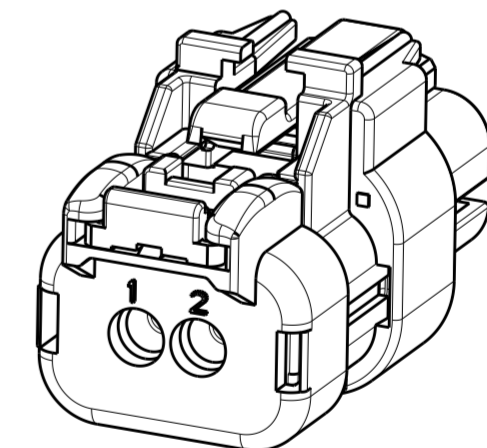
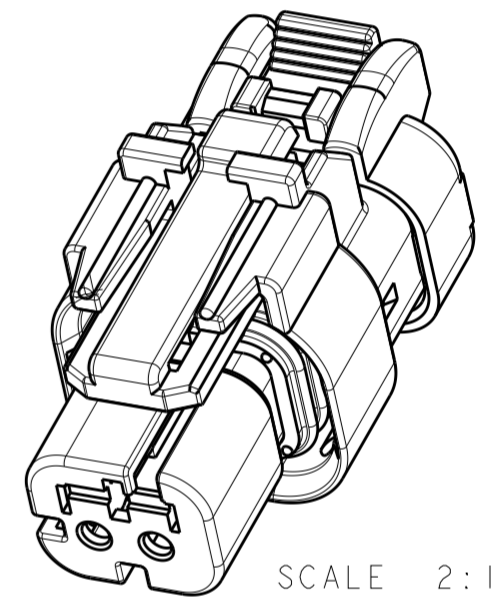
776522-1 SHOWN
KEY A



SECTION A-A



SECTION A-A



D	GREEN	776522-4
C	YELLOW	776522-3
B	GRAY	776522-2
A	RED	776522-1
KEY	TPA COLOR	PART NUMBER

DIMENSIONS:		TOLERANCES UNLESS OTHERWISE SPECIFIED:		DWN 22FEB00		APVD 11DEC01		NAME	
mm		0 PLC	±	AJ GRAFF		APVD 11DEC01		STE TE Connectivity	
		1 PLC	±	CHK R GREINER		PRODUCT SPEC		PLUG ASSEMBLY, 2 POSITION, SINGLE ROW REDUCED DIA WIRE SEAL, AMPSEAL 16	
		2 PLC	±	M TRULLI		APPLICATION SPEC		SIZE	CAGE CODE
		3 PLC	±			114-13065		A200779	C-776522
		4 PLC	±			WEIGHT		SCALE	SHEET
		ANGLES	±			8		4:1	OF
		FINISH	-			Customer Drawing		REV	E
			-						